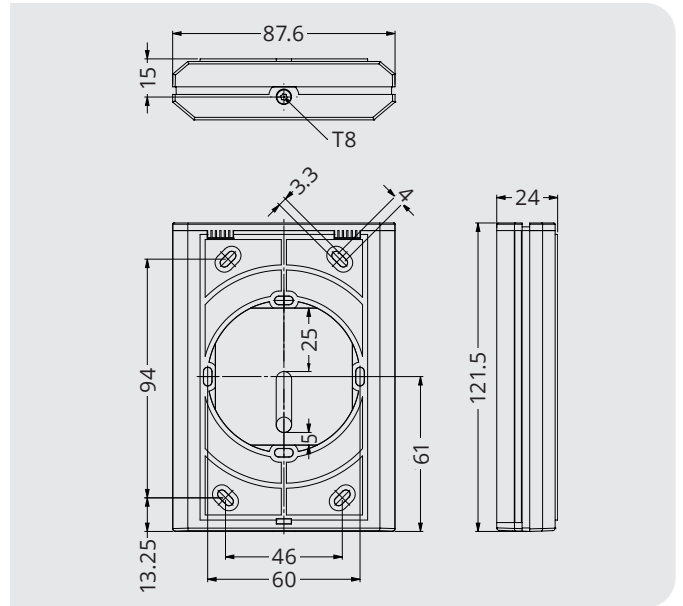


ADR Resistant



The readers of the ADR (Advanced Data Reader) series convince with their attractive design and high user comfort. The design is based on the ADT time recording terminals. Readers and time recording terminals are thus perfectly matched to each other. Thanks to state-of-the-art technology, they also meet the highest security requirements.

ADR Resistant with keyboard

The surface-coated reader can be used indoors and outdoors. The keyboard version has a capacitive keyboard with 12 keys. This is not subject to wear and tear and convinces with a low service volume.

pKT master function

This function enables the reader to read individual access rights from the card and simultaneously write new information to the card (e.g. changed access rights). The pKT master function can only be used in conjunction with an intelligent control unit.

Features

- > Can be installed indoors and in protected outdoor locations
- > Modern design, suitable for the ADT series
- > Flexible, simple application
- > Simple installation
- > Low service requirements

pKT master function

- > For reading and writing a person's access authorisations
- > Access rights are administered in the host system
- > RFID credentials are used as virtual information carriers
- > Reaction time, typically 1 sec.
- > Special authorised cards are possible, e.g. emergency services

