



pKT Cabinet lock

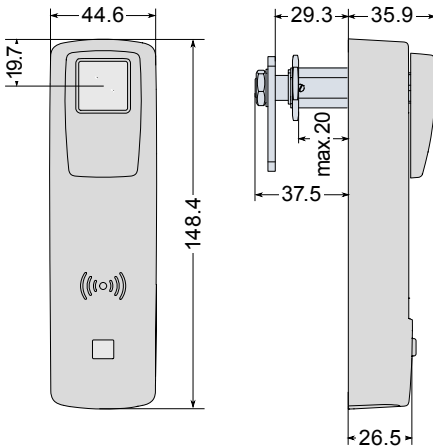


The pKT electronic Cabinet lock has an integrated standard lever lock and ensures easy installation. The pKT Cabinet lock can be used in all cabinets and lockers with a door thickness of up to 20 mm. The electronics differentiate between locked and open status.

During the development of the pKT Cabinet lock, particular attention was paid to easy installation, handling and comprehensive application possibilities of the electronic Cabinet lock.

The door hinge can be set to the right or left, depending on requirements. An additional screw secures the lock in place. The battery compartment, which is accessible from the outside, can be opened with a special tool and the battery (conventional 3.6V AA lithium) can be replaced if necessary. This allows for up to 150,000 lockings (depending on the transponder technology used).

On the pKT Cabinet lock, transponders and ID cards with a pKT segment can be used as keys.



Features

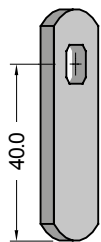
- ▶ For left and right cabinet doors
- ▶ Existing holes can usually be used
- ▶ Free choice of lockers or fixed allocation of lockers possible
- ▶ 100 % Primion pKT compatible
- ▶ Individual and group authorisations possible
- ▶ Coupling time programmable
- ▶ Toggle mode possible
 - (first booking – permanently open, second booking – close)
- ▶ Suitable for all wood, steel and aluminium doors
 - with a door thickness of up to 20 mm (larger door thicknesses on request).
- ▶ Automatic summer and winter time changeover
- ▶ Up to 48 holidays can be set
- ▶ Variants for MIFARE® transponders available
- ▶ No wiring necessary
- ▶ One AA Lithium 3.6V battery, in externally accessible housing
- ▶ Up to 150,000 operations with one set of batteries (MIFARE® DESFire®)
- ▶ Up to 1,000 events can be logged in the cabinet lock

Technical data

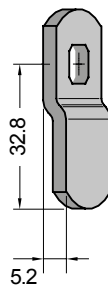
Power supply	1 x Battery ER14505M 3,6 V
Dimensions (W x H x D) when installed	44.7 x 148.5 x 35 mm
Operating temperature	5 to 55 °C
Humidity (operating)	max. 95 %, non-condensing
Technologies	MIFARE® DESFire®
Installation location	Intended for indoor use

Locking lever variants for pKT Cabinet lock with threaded bolt

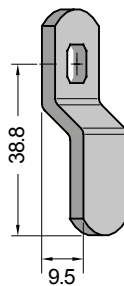
Variant 2



Variant 3



Variant 4



Ordering information

pKT Cabinet lock with threaded bolt

(a locking lever is additionally required)

I185-400.01 — pKT Cabinet lock with threaded bolt, MIFARE® DESFire®

pKT Cabinet lock with square

I185-402.01 — pKT Cabinet lock with square, MIFARE® DESFire®

Locking lever for pKT Cabinet lock with threaded bolt

I185-404.01 — Locking lever variant 2 for pKT Cabinet lock with threaded bolt

I185-405.01 — Locking lever variant 3 for pKT Cabinet lock with threaded bolt

I185-406.01 — Locking lever variant 4 for pKT Cabinet lock with threaded bolt

Accessories

I185-407.01 — Battery changing tool for pKT Cabinet lock